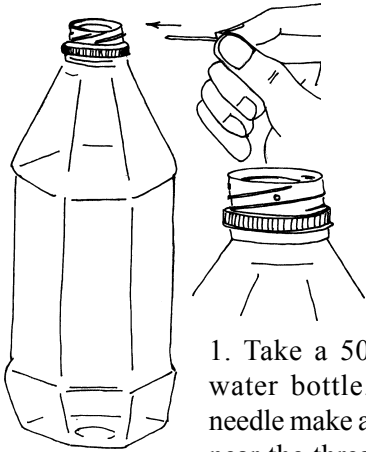
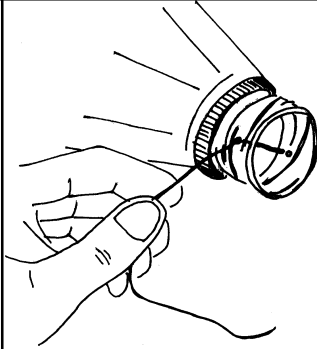


SPINNING BOTTLE

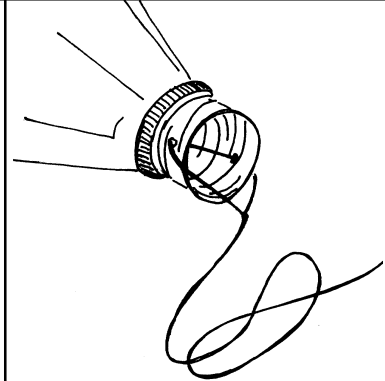
This simple experiment demonstrates Newton's third law of motion - that every action has an equal and opposite reaction.



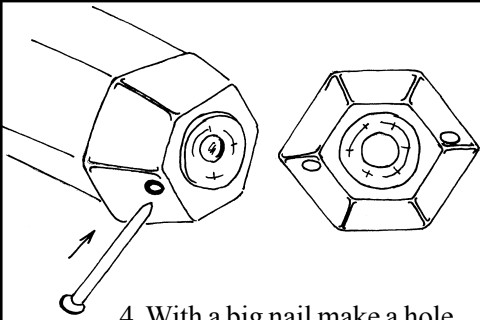
1. Take a 500-ml plastic water bottle. With a big needle make a through hole near the threaded end.



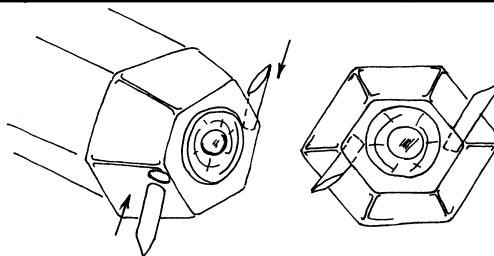
2. Weave a 8-cm thread through this hole and tie a knot to make it a loop.



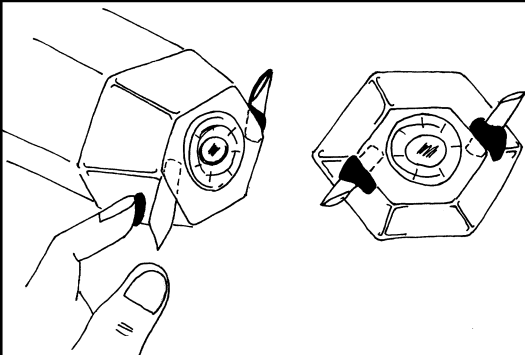
3. Tie a long thread to this loop.



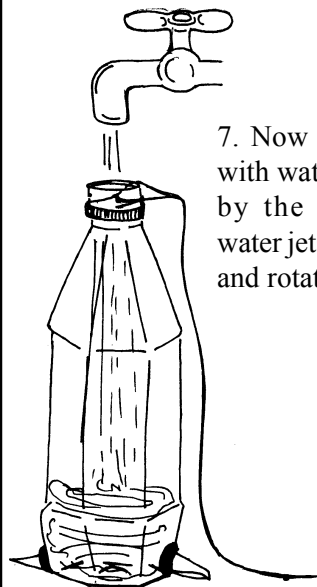
4. With a big nail make a hole on the vertical wall of the bottle near its base. Make another hole at the other end.



5. Take two pieces of stiff plastic straw 3-cms long (old *Add Gel* refills are ideal). Cut one end of these pieces at a slant. Press them in the holes in the orientation shown.



6. Apply *M-seal* or some other adhesive (kneaded wheat flour does well) to prevent leakage.



7. Now fill the bottle with water and hang it by the thread. Two water jets will gush out and rotate the bottle.

