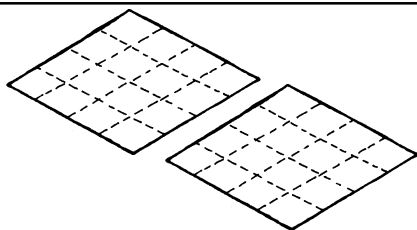
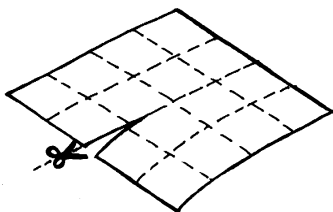


THE NEVER ENDING BOOK

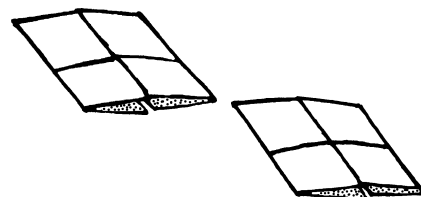
You could flip this fourteen-page book from start to end, and then automatically return to the start!



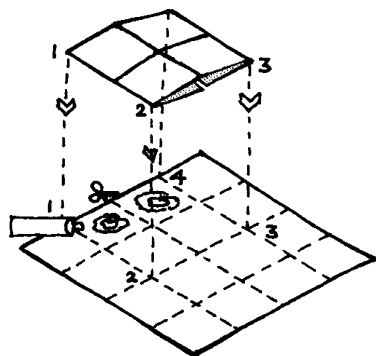
1. Fold 16 small, equal sized squares in two squares (10-cm). They will look like 4 x 4 pieces.



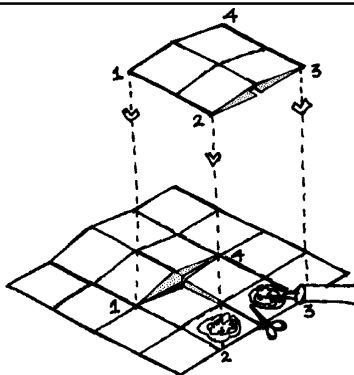
2. Take one 4 x 4 piece and cut it along the midline to make two 4 x 2 pieces.



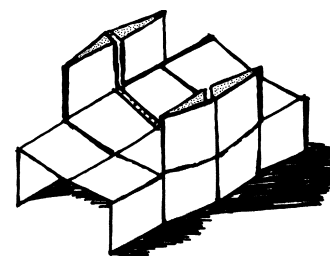
3. Fold the doors of both 4 x 2 pieces.



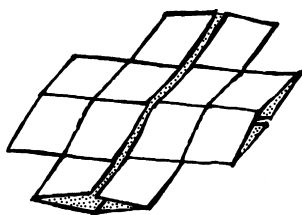
4. Take the other 4 x 4 square and cut it along the midline only up to the center point. Apply glue to the two little squares and stick one 4 x 2 piece as shown.



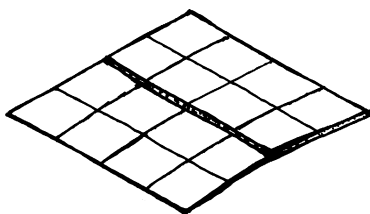
5. Again cut the midline from the other end to the center point. Apply glue on the two little squares as shown, and stick the second 4 x 2 piece in place. The flexagon is complete now.



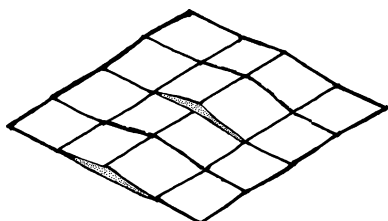
6. The assembly shows two 4 x 2 beds, placed side-by-side. The two 4 x 2 pieces have their folded doors facing each other.



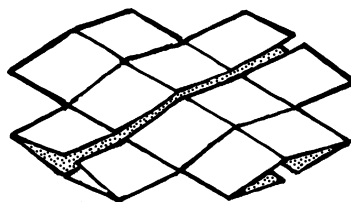
7. Now hold the tips of the head and foot rest and fold them outwards to get a flat, cross shape.



8. On opening out the middle flaps of the cross there will be a flat formation with 16 little squares in it. You can start your 14 page, picture book from here. Each 2 x 2 piece would represent one page. These will be the first four pages. Open out the middle flaps again to get the next four pages.



9. Once again open out the middle flap to get the next four pages. There will now be 12 (2 x 2) pages.



10. On opening the middle flaps of the doors you will get a cross shape and pages 13 and 14.

(Pix by Vishwas Thoke)